
Technical Reference

Model 5312B
Technical Reference

KEITHLEY

WARRANTY

Hardware

Keithley Instruments, Inc. warrants that, for a period of one (1) year from the date of shipment (3 years for Models 2000, 2001, 2002, and 2010), the Keithley Hardware product will be free from defects in materials or workmanship. This warranty will be honored provided the defect has not been caused by use of the Keithley Hardware not in accordance with the instructions for the product. This warranty shall be null and void upon: (1) any modification of Keithley Hardware that is made by other than Keithley and not approved in writing by Keithley or (2) operation of the Keithley Hardware outside of the environmental specifications therefore.

Upon receiving notification of a defect in the Keithley Hardware during the warranty period, Keithley will, at its option, either repair or replace such Keithley Hardware. During the first ninety days of the warranty period, Keithley will, at its option, supply the necessary on site labor to return the product to the condition prior to the notification of a defect. Failure to notify Keithley of a defect during the warranty shall relieve Keithley of its obligations and liabilities under this warranty.

Other Hardware

The portion of the product that is not manufactured by Keithley (Other Hardware) shall not be covered by this warranty, and Keithley shall have no duty of obligation to enforce any manufacturers' warranties on behalf of the customer. On those other manufacturers' products that Keithley purchases for resale, Keithley shall have no duty of obligation to enforce any manufacturers' warranties on behalf of the customer.

Software

Keithley warrants that for a period of one (1) year from date of shipment, the Keithley produced portion of the software or firmware (Keithley Software) will conform in all material respects with the published specifications provided such Keithley Software is used on the product for which it is intended and otherwise in accordance with the instructions therefore. Keithley does not warrant that operation of the Keithley Software will be uninterrupted or error-free and/or that the Keithley Software will be adequate for the customer's intended application and/or use. This warranty shall be null and void upon any modification of the Keithley Software that is made by other than Keithley and not approved in writing by Keithley.

If Keithley receives notification of a Keithley Software nonconformity that is covered by this warranty during the warranty period, Keithley will review the conditions described in such notice. Such notice must state the published specification(s) to which the Keithley Software fails to conform and the manner in which the Keithley Software fails to conform to such published specification(s) with sufficient specificity to permit Keithley to correct such nonconformity. If Keithley determines that the Keithley Software does not conform with the published specifications, Keithley will, at its option, provide either the programming services necessary to correct such nonconformity or develop a program change to bypass such nonconformity in the Keithley Software. Failure to notify Keithley of a nonconformity during the warranty shall relieve Keithley of its obligations and liabilities under this warranty.

Other Software

OEM software that is not produced by Keithley (Other Software) shall not be covered by this warranty, and Keithley shall have no duty or obligation to enforce any OEM's warranties on behalf of the customer.

Other Items

Keithley warrants the following items for 90 days from the date of shipment: probes, cables, rechargeable batteries, diskettes, and documentation.

Items not Covered under Warranty

This warranty does not apply to fuses, non-rechargeable batteries, damage from battery leakage, or problems arising from normal wear or failure to follow instructions.

Limitation of Warranty

This warranty does not apply to defects resulting from product modification made by Purchaser without Keithley's express written consent, or by misuse of any product or part.

Disclaimer of Warranties

EXCEPT FOR THE EXPRESS WARRANTIES ABOVE KEITHLEY DISCLAIMS ALL OTHER WARRANTIES, EXPRESS OR IMPLIED, INCLUDING WITHOUT LIMITATION, ALL IMPLIED WARRANTIES OF MERCHANTABILITY AND FITNESS FOR A PARTICULAR PURPOSE. KEITHLEY DISCLAIMS ALL WARRANTIES WITH RESPECT TO THE OTHER HARDWARE AND OTHER SOFTWARE.

Limitation of Liability

KEITHLEY INSTRUMENTS SHALL IN NO EVENT, REGARDLESS OF CAUSE, ASSUME RESPONSIBILITY FOR OR BE LIABLE FOR: (1) ECONOMIC, INCIDENTAL, CONSEQUENTIAL, INDIRECT, SPECIAL, PUNITIVE OR EXEMPLARY DAMAGES, WHETHER CLAIMED UNDER CONTRACT, TORT OR ANY OTHER LEGAL THEORY, (2) LOSS OF OR DAMAGE TO THE CUSTOMER'S DATA OR PROGRAMMING, OR (3) PENALTIES OR PENALTY CLAUSES OF ANY DESCRIPTION OR INDEMNIFICATION OF THE CUSTOMER OR OTHERS FOR COSTS, DAMAGES, OR EXPENSES RELATED TO THE GOODS OR SERVICES PROVIDED UNDER THIS WARRANTY.



Keithley Instruments, Inc. • 28775 Aurora Road • Cleveland, OH 44139 • 440-248-0400 • Fax: 440-248-6168 • <http://www.keithley.com>

CHINA:	Keithley Instruments China • Yuan Chen Xin Building, Room 705 • 12 Yumin Road, Dewai, Madian • Beijing 100029 • 8610-62022886 • Fax: 8610-62022892
FRANCE:	Keithley Instruments SARL • BP 60 • 3 Allée des Garays • 91122 Palaiseau Cédex • 33-1-60-11-51-55 • Fax: 33-1-60-11-77-26
GERMANY:	Keithley Instruments GmbH • Landsberger Strasse 65 • D-82110 Germering, Munich • 49-89-8493070 • Fax: 49-89-84930759
GREAT BRITAIN:	Keithley Instruments, Ltd. • The Minster • 58 Portman Road • Reading, Berkshire RG30 1EA • 44-1189-596469 • Fax: 44-1189-575666
ITALY:	Keithley Instruments SRL • Viale S. Gimignano 38 • 20146 Milano • 39-2-48303008 • Fax: 39-2-48302274
NETHERLANDS:	Keithley Instruments BV • Avelingen West 49 • 4202 MS Gorinchem • 31-(0)183-635333 • Fax: 31-(0)183-630821
SWITZERLAND:	Keithley Instruments SA • Kriesbachstrasse 4 • 8600 Dübendorf • 41-1-8219444 • Fax: 41-1-8203081
TAIWAN:	Keithley Instruments Taiwan • 1FL., 85 Po Ai Street • Hsinchu, Taiwan • 886-3-572-9077 • Fax: 886-3-572-9031

Model 5312B

Technical Reference

©1995, Keithley Instruments, Inc.
All rights reserved.
Cleveland, Ohio, U.S.A.
Second Printing, July 1998
Document Number: 64970 Rev. F

Manual Print History

The print history shown below lists the printing dates of all Revisions and Addenda created for this manual. The Revision Level letter increases alphabetically as the manual undergoes subsequent updates. Addenda, which are released between Revisions, contain important change information that the user should incorporate immediately into the manual. Addenda are numbered sequentially. When a new Revision is created, all Addenda associated with the previous Revision of the manual are incorporated into the new Revision of the manual. Each new Revision includes a revised copy of this print history page.

Revision E (Document Number 64970)	January 1996
Revision F (Document Number 64970)	July 1998

Safety Precautions

The following safety precautions should be observed before using this product and any associated instrumentation. Although some instruments and accessories would normally be used with non-hazardous voltages, there are situations where hazardous conditions may be present.

This product is intended for use by qualified personnel who recognize shock hazards and are familiar with the safety precautions required to avoid possible injury. Read the operating information carefully before using the product.

The types of product users are:

Responsible body is the individual or group responsible for the use and maintenance of equipment, and for ensuring that operators are adequately trained.

Operators use the product for its intended function. They must be trained in electrical safety procedures and proper use of the instrument. They must be protected from electric shock and contact with hazardous live circuits.

Maintenance personnel perform routine procedures on the product to keep it operating, for example, setting the line voltage or replacing consumable materials. Maintenance procedures are described in the manual. The procedures explicitly state if the operator may perform them. Otherwise, they should be performed only by service personnel.

Service personnel are trained to work on live circuits, and perform safe installations and repairs of products. Only properly trained service personnel may perform installation and service procedures.

Exercise extreme caution when a shock hazard is present. Lethal voltage may be present on cable connector jacks or test fixtures. The American National Standards Institute (ANSI) states that a shock hazard exists when voltage levels greater than 30V RMS, 42.4V peak, or 60VDC are present. **A good safety practice is to expect that hazardous voltage is present in any unknown circuit before measuring.**

Users of this product must be protected from electric shock at all times. The responsible body must ensure that users are prevented access and/or insulated from every connection point. In some cases, connections must be exposed to potential human contact. Product users in these circumstances must be trained to protect themselves from the risk of electric shock. If the circuit is capable of operating at or above 1000 volts, **no conductive part of the circuit may be exposed.**

As described in the International Electrotechnical Commission (IEC) Standard IEC 664, digital multimeter measuring circuits (e.g., Keithley Models 175A, 199, 2000, 2001, 2002, and 2010) are Installation Category II. All other instruments' signal terminals are Installation Category I and must not be connected to mains.

Do not connect switching cards directly to unlimited power circuits. They are intended to be used with impedance limited sources. NEVER connect switching cards directly to AC mains. When connecting sources to switching cards, install protective devices to limit fault current and voltage to the card.

Before operating an instrument, make sure the line cord is connected to a properly grounded power receptacle. Inspect the connecting cables, test leads, and jumpers for possible wear, cracks, or breaks before each use.

For maximum safety, do not touch the product, test cables, or any other instruments while power is applied to the circuit under test. ALWAYS remove power from the entire test system and discharge any capacitors before: connecting or disconnecting cables or jumpers, installing or removing switching cards, or making internal changes, such as installing or removing jumpers.


Do not touch any object that could provide a current path to the common side of the circuit under test or power line (earth) ground. Always make measurements with dry hands while standing on a dry, insulated surface capable of withstanding the voltage being measured.


Do not exceed the maximum signal levels of the instruments and accessories, as defined in the specifications and operating information, and as shown on the instrument or test fixture panels, or switching card.


When fuses are used in a product, replace with same type and rating for continued protection against fire hazard.

Chassis connections must only be used as shield connections for measuring circuits, NOT as safety earth ground connections.

If you are using a test fixture, keep the lid closed while power is applied to the device under test. Safe operation requires the use of a lid interlock.

If a  screw is present, connect it to safety earth ground using the wire recommended in the user documentation.

The  symbol on an instrument indicates that the user should refer to the operating instructions located in the manual.

The  symbol on an instrument shows that it can source or measure 1000 volts or more, including the combined effect of normal and common mode voltages. Use standard safety precautions to avoid personal contact with these voltages.

The **WARNING** heading in a manual explains dangers that might result in personal injury or death. Always read the associated information very carefully before performing the indicated procedure.

The **CAUTION** heading in a manual explains hazards that could damage the instrument. Such damage may invalidate the warranty.

Instrumentation and accessories shall not be connected to humans.

Before performing any maintenance, disconnect the line cord and all test cables.

To maintain protection from electric shock and fire, replacement components in mains circuits, including the power transformer, test leads, and input jacks, must be purchased from Keithley Instruments. Standard fuses, with applicable national safety approvals, may be used if the rating and type are the same. Other components that are not safety related may be purchased from other suppliers as long as they are equivalent to the original component. (Note that selected parts should be purchased only through Keithley Instruments to maintain accuracy and functionality of the product.) If you are unsure about the applicability of a replacement component, call technical support for information.

To clean the instrument, use a damp cloth or mild, water based cleaner. Clean the exterior of the instrument only. Do not apply cleaner directly to the instrument or allow liquids to enter or spill on the instrument.

About this manual

Quality control

Keithley Instruments manufactures quality and versatile products, and we want our documentation to reflect that same quality. We take great pains to publish manuals that are informative and well organized. We also strive to make our documentation easy to understand for the novice as well as the expert.

If you have comments or suggestions about how to make this (or other) manuals easier to understand, or if you find an error or an omission, please fill out and mail the reader response card at the end of this manual (postage is prepaid).

Conventions

Procedural

Keithley Instruments uses various conventions throughout this manual. You should become familiar with these conventions as they are used to draw attention to items of importance and items that will generally assist you in understanding a particular area.

WARNING **A warning is used to indicate that an action must be done with great care. Otherwise, personal injury may result.**

CAUTION **A caution is used to indicate that an action may cause minor equipment damage or the loss of data if not performed carefully.**

NOTE *A note is used to indicate important information needed to perform an action or information that is nice-to-know.*

When referring to pin numbering, pin 1 is always associated with a square solder pad on the actual component footprint.

Notational

A forward slash (/) preceding a signal name denotes an active LOW signal. This is a standard Intel convention.

Caret brackets (<>) denote keystrokes. For instance <Enter> represents carriage-return-with-line-feed keystroke, and <Esc> represents an escape keystroke.

Driver routine declarations are shown for C and BASIC (where applicable).

Hungarian notation is used for software parameters. In other words, the parameter type is denoted by a one or two letter lower case prefix:

c	character, signed or unsigned
s	short integer, signed
w	short integer, unsigned
l	long integer, signed
dw	long integer, unsigned

For example, wBoardAddr would be an unsigned short integer parameter.

An additional `p` prefix before the type prefix indicates that the parameter is being passed by reference instead of by value. (A pointer to the variable is being passed instead of the variable itself).

For example, `pwErr` would be an unsigned short integer parameter passed by reference.

This notation is also used in BASIC although no distinction between signed and unsigned variables exists.

In BASIC, all parameters also have a type suffix:

\$	character, signed or unsigned
%	integer, signed or unsigned
&	long integer, signed or unsigned

Routine names are printed in bold font when they appear outside of function declarations, e.g., **ReadStatus**.

Parameter names are printed in italics when they appear outside of function declarations, e.g., *sControls*.

Constants are defined with all caps, e.g., `ALL_AXES`. Underscores {`_`} must be replaced by periods {`.`} for use with BASIC.

Combinational logic and hexadecimal notation is in C convention in many cases. For example, the hexadecimal number `7Ch` is shown as `0x7C`.

C relational operators for OR and AND functions — “`|`” and “`&&`” — are used to minimize the confusion associated with grammar.

Table of Contents

1 Introduction and Installation

Description	1-2
Technical Specifications	1-3
Setting the jumpers	1-3
Base addressing	1-4
Indirect addressing	1-5
Termination resistors	1-6
Selecting an index option	1-8
Selecting the card configuration	1-9
Interrupt selection	1-10
Wait states	1-11
Installation	1-11
Power considerations	1-12
Connector pinouts	1-13

2 Operation and Programming

Theory of operation	2-2
Programming	2-2
Writing the Preset Register (PR)	2-2
Reading the Output Latch register (OL)	2-3
Writing the Command Register (CR)	2-3
Master Control Register (MCR)	2-3
Input Control Register (ICR)	2-4
Output/Counter Control Register (OCCR)	2-4
Quadrature Register (QR)	2-5
Output Status Register (OSR)	2-6
Typical programming examples	2-6
Selecting a sample clock frequency	2-8

3 Interrupt Control

Description of interrupt control	3-2
Interrupt Request Rgtr (IRR), In Service Rgtr (ISR)	3-2
Priority Resolver (PR)	3-3
Interrupt Mask Register (IMR)	3-3
Interrupt output (INT)	3-3
PIC operation	3-3
Interrupt sequence, 80x86/80x88 mode	3-3
End-of-interrupt command	3-4
Completing an interrupt	3-4
Operating modes	3-4
Fully nested mode	3-4
Special mask mode	3-5
Specific rotation (specific priority)	3-5
Automatic rotation (equal priority)	3-5
Non-vectored mode (poll command)	3-5
PIC programming	3-5
Initialization Command Words (ICW)	3-5
ICW1 format and description	3-6
ICW4 format and description	3-7
Operation Command Words (OCW)	3-7
OCW1 format and description	3-8
OCW2 format and description	3-9
OCW2 commands	3-9
OCW3 format and description	3-9

A PC I/O and Interrupt Mapping

PC I/O map	A-2
------------------	-----

B Tech Bulletins and Application Notes

Timer application in velocity mode	B-2
Setting up axis 3 as an interval timer	B-2

C Circuit Diagrams

List of Illustrations

1 Introduction and Installation

Figure 1-1	Functional block diagram for the 5312	1-2
Figure 1-2	Jumper locations for the 5312	1-4
Figure 1-3	Encoder termination resistor locations	1-7
Figure 1-4	LED locations on the card edge	1-7
Figure 1-5	Connector locations on the board	1-12

2 Operation and Programming

Figure 2-1	Example of a 4-stage signal conditioning filter	2-8
------------	---	-----

3 Interrupt Control

Figure 3-1	PIC block level diagram	3-2
Figure 3-2	PIC initialization sequence	3-5
Figure 3-3	PIC ICW format	3-6
Figure 3-4	PIC OCW format	3-8

List of Tables

1 Introduction and Installation

Table 1-1	W19, base address select (upper nibble)	1-4
Table 1-2	5312 I/O map	1-5
Table 1-3	Termination resistors in differential mode	1-6
Table 1-4	Terminal resistors in single-ended mode	1-6
Table 1-5	Index option selections	1-8
Table 1-6	Jumper selection for differential/single-ended operation	1-9
Table 1-7	Sample clock frequency jumper settings	1-9
Table 1-8	Cascading the counters	1-10
Table 1-9	Jumpering for disabling/enabling borrow interrupts	1-10
Table 1-10	Selecting an interrupt	1-10
Table 1-11	Generating wait states	1-11
Table 1-12	Connector J1-J4 pin assignments	1-13
Table 1-13	Default jumper settings for all board versions	1-14

2 Operation and Programming

Table 2-1	Register select	2-3
Table 2-2	Output/counter control modes	2-5
Table 2-3	Quadrature register modes	2-5

3 Interrupt Control

Table 3-1	Interrupt code	3-4
-----------	----------------------	-----

A PC I/O Map

Table A-1	PC I/O map	A-2
Table A-2	PC interrupt map	A-3



1

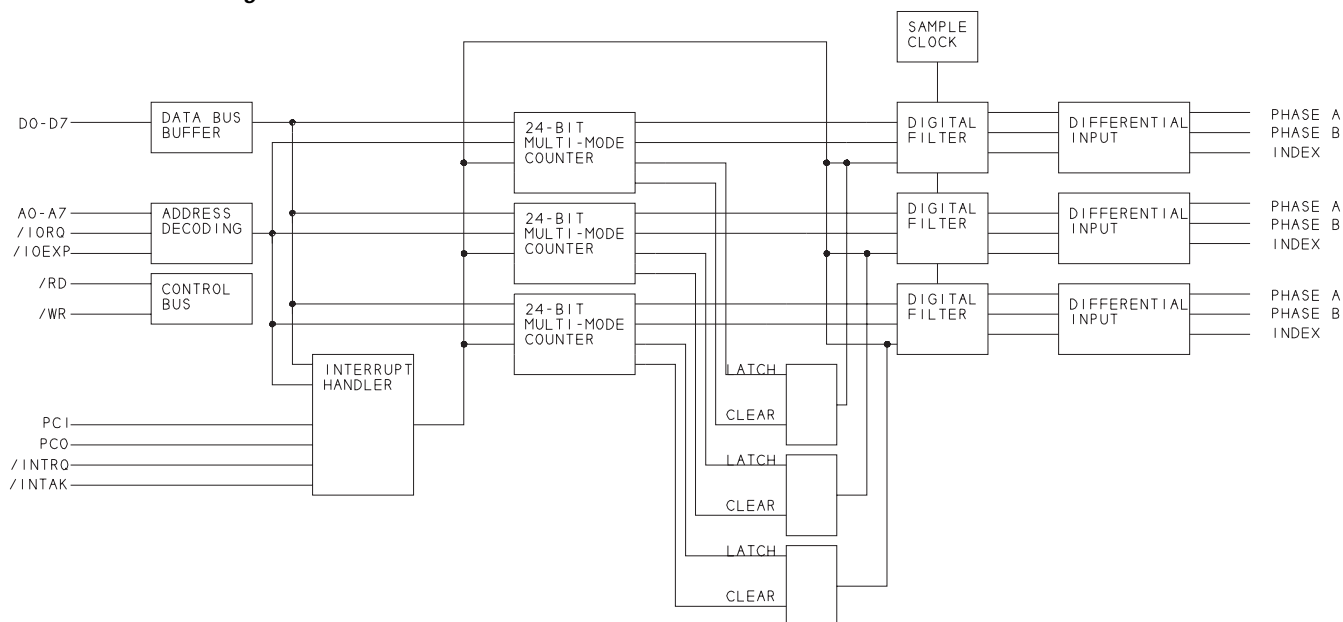
Introduction and Installation

Description

NOTE This manual is model dependent. For models not using all encoder ports, disregard the appropriate upper axis.

The 5312 Quadrature Encoder card is PC bus compatible. It provides inputs and decoding for up to four incremental quadrature encoders depending on the model purchased. You may also use the card as a high-speed pulse counter (up/down and pulse/direction) for general counting applications. Figure 1-1 shows a functional block diagram.

Figure 1-1
Functional block diagram for the 5312



For each encoder circuit, Phase A (Phase 0), Phase B (Phase 90), and Index pulse inputs are provided. Jumper options on board allow you to configure the inputs as single-ended TTL or differential (the recommended connection method). Individual connectors for each encoder provide power (+5V) and ground for the encoder if needed.

You can also use the 5312 as pulse counter for up to 4 independent events, or you can cascade the counters to provide high speed pulse counting over an extended count range.

Inputs are conditioned by a 4-stage digital filter. The filter clock is one of five jumper-selectable sampling frequencies ranging up to 10 MHz. Selecting the lowest frequency compatible with the highest expected input rate will maximize noise immunity. The maximum input rate per phase in quadrature decode mode is approximately 333 kHz. The maximum input rate in count mode is approximately 1.25 MHz. Sample clock frequency selection is described in detail in Section 2.

The conditioned inputs are applied to a 24-bit counter provided for each encoder. You can use the counters for quadrature decoding, pulse and direction input counting, or as a pulse input up/down counter. Count output is available for the PC bus in binary or binary coded decimal (BCD) form. The count value may be latched on command, latched on an index pulse, or latched with a new count value when an index pulse occurs.

The 5312 is capable of generating interrupts. Maskable interrupts may come from a valid index pulse, counter overflow/underflow, or on count value match with a preset compare value.

Technical specifications

Voltage Requirements:	4-axis: 1.5A (typical), 2.0A (maximum) 3-axis: 1.25A (typical), 1.75A (maximum) 2-axis: 1.0A (typical), 1.5A (maximum) 1-axis: 0.9A (typical), 1.25A (maximum)
Compatibility:	PC/XT/AT Single-ended or Differential Incremental Encoders TTL or CMOS Signal Sources
Operating Range:	0 to 70 degrees Celsius
Mating Connectors:	9-pin Dsub: <i>Ansley 609-9p</i> Amphenol 841-17-DEFR-B09P
Card Dimensions:	13.3 x 4.2 x 0.5 inches

Setting the jumpers

CAUTION Always remove power from the PC and any external system devices before removing any connection on the 5312. Failure to do so may result in permanent damage to the card and will void any warranty.

Jumper options on the 5312 offer a great deal of flexibility in system operation. These options are grouped into 4 areas according to functions — encoder inputs, card functions, interrupt action, and card addressing.

All cards are shipped with most jumpers installed for a given configuration. All factory default jumpers are indicated throughout this manual in the appropriate tables with a † symbol. However, due to possible rough handling during shipment, there is no assurance that all jumpers will be in the indicated position.

NOTE *Default jumper settings shown are those for the 4-axis version of the M5312. For default settings on other versions, see Table 1-13 at the end of Section 1.*

Check and properly configure all boards before installing.

Jumper locations are shown in Figure 1-2. We strongly recommend, however, that once you determine the proper jumper settings, replace all jumpers with more reliable wire-wrapped connections. This is particularly important when exposing the card to an industrial environment where vibration, dust, oil, or other contaminants may be present.

Base addressing

Jumper W19 determines the upper nibble (4 bits) of the card base address according to Table 1-1.

Table 1-1

W19, base address select (upper nibble)

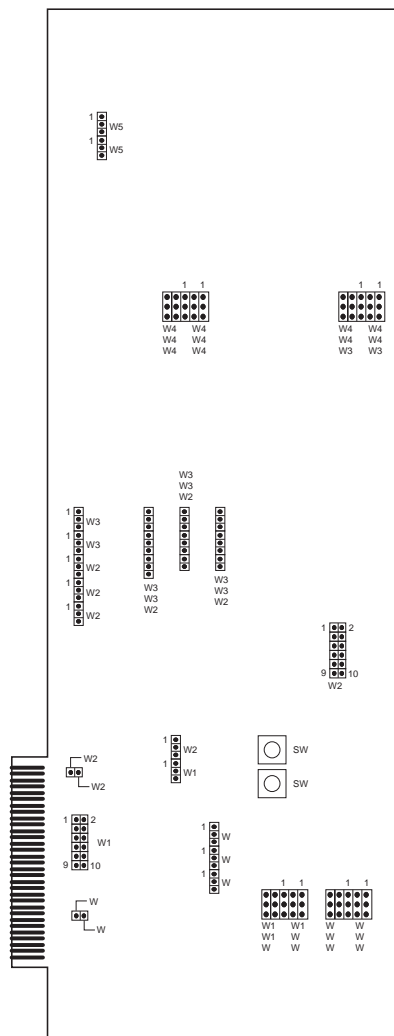
W19	Base Address
(1-2)†	2x.xh
(2-3)	3x.xh

† Default jumper setting

Set hex switches SW1 and SW2 to determine the lower 8 bits of the address. Switch SW2 represents the most significant nibble (MSN), and SW1 represents the least significant nibble (LSN). Since the 5312 occupies two adjacent I/O ports, only the even settings of the LSN switch are used.

Figure 1-2

Jumper locations for the 5312



Indirect addressing

To conserve I/O space on the PC bus, the 5312 is indirectly addressed (see Table 1-2). This allows the card to occupy only two direct I/O ports by using one for indirect addressing (even or lower) and the other for data (the odd or greater of the two ports). The sequence for writing to any indirect port is to first write the indirect port address to the address port. The desired data can then be written to the data port. This indirect port will remain addressed until the indirect address port is again written. For example, to write the initialization bytes MCR, ICR, OCCR, and QR to the command port of axis 1 assuming the card is strapped to 300h as the base address:

1. Write the indirect address for the axis A command port (01h) to the indirect address port (300h).
2. Write the first byte (Master Control Register) to the data port (301h).
3. Write the second byte (Input Control Register) to the data port (301h).
4. Write the third byte (Output/Counter Control Register) to the data port (301h).
5. Write the last byte (Quadrature Encoder) to the data port (301h).

NOTE *The C function libraries on the software diskette make this sequence transparent to the user.*

Table 1-2
5312 I/O map

Axis	Address	When Written	When Read
1	00	Write to preset register (PR) and increment register address counter.	Read OL (output latch) and increment register address counter.
	01	Write to command register.	Read OSR (output status register).
2	02	Write to PR and increment register address counter.	Read OL and increment register address counter.
	03	Write to command register.	Read OSR.
3	04	Write to PR and increment register address counter.	Read OL and increment register address counter.
	05	Write to command register.	Read OSR.
4	06	Write to PR and increment register address counter.	Read OL and increment register address counter.
	07	Write to command register.	Read OSR.
Global	08	Global write to all four PRs.	Invalid
	09	Global write to all four command registers.	Invalid
PIC	0A	Low Port	Low Port
	0B	High Port	High Port

Termination resistors

If differential input is used, give consideration to terminating the cable lines connecting the signal to the card. Cable length and signal frequency determine how critical the termination factor is. Since the needed termination resistor value is determined by cable type, sockets are provided for easy insertion and removal of termination resistors. Unless otherwise specified by the encoder manufacturer, one-quarter watt carbon film resistors of a standard EIA value closest to one half the characteristic impedance of the cable are adequate (see cable manufacturers specification for values). Termination resistors apply a load to the signal source, so make sure that the source can supply enough drive capability to compensate for this condition.

Figure 1-3 shows the termination resistor locations for both single-ended and differential. Table 1-3 shows the termination resistor assignments for each signal in differential mode. The inputs should be terminated in the characteristic impedance of the input line.

Table 1-3
Termination resistors in differential mode

Signal	Axis 1	Axis 2	Axis 3	Axis 4
Phase A	R1, R2	R7, R8	R18, R19	R24, R25
Phase B	R3, R4	R9, R10	R20, R21	R26, R27
Index	R5, R6	R11, R12	R22, R23	R28, R29

When single-ended encoder inputs are used, the logic level of the input signal is determined by comparison with a reference voltage on the card. This reference is set by a pair of resistors selected and inserted by the user, and they form a voltage divider network that establishes the center point for the input Hysteresis band.

Resistor assignments in a single-ended mode are shown in Table 1-4.

Table 1-4
Termination resistors in single-ended mode

Typical Value	Axis 1	Axis 2	Axis 3	Axis 4
220 Ohms	R14	R15	R17	R31
150 Ohms	R14	R16	R30	R32

The 5312 features encoder input indicators that are useful when determining proper encoder operation and connection. Only three of the four LEDs in each package are used. Figure 1-4 shows the location of LEDs on the outboard edge of the card as you view down from the top. An LED is on when its corresponding input signal is LOW.

Figure 1-3
Encoder termination resistor locations

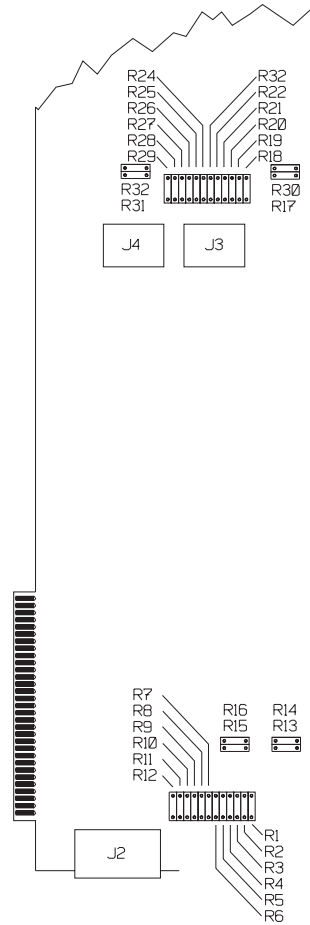
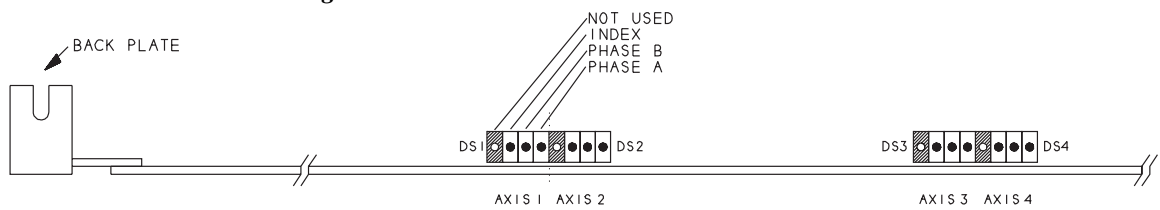


Figure 1-4
LED locations on the card edge



Selecting an index option

The following are the available jumper options that direct the function of the encoder index pulse. The first two options work in conjunction with bits D4 and D5 respectively of the Input Control Register (ICR). Table 1-5 shows the jumper configuration for selecting an index option.

- Index Action to /ABGT (ABGaTe) or /RCTR (Reset CounTeR):
ICRB4 = 0: A valid index level will reset the counter.
ICRB4 = 1: A valid index level will gate phase A and B inputs to the counter.
- Index Action to /LCTR (Load CounTer) or /LLTC (Load output LaTCh).
ICRB5 = 0: A valid index level will load the contents of the preset register into the counter.
ICRB5 = 1: A valid index level will load the contents of the counter into the Output Latch.
- Active Low Index Polarity.
Select this option if the encoder provides an active LOW index pulse.
- Active High Index Polarity.
Select this option if the encoder provides an active HIGH index pulse.

Correct strapping for each axis is detailed in Table 1-6 below. The following tables also provide the necessary jumpering information for operating the encoder.

If the index is not used, remove jumpers W17, W22, and W29. Failure to do so will result in incorrect encoder operation. If index is used, we recommend that you check for correct encoder operation with the jumpers removed, then with the jumpers installed.

Table 1-5
Index option selections

Operation	Axis 1	Axis 2	Axis 3	Axis 4
Index Action /ABGT-/RCTR† (AB Gate- Reset Counter)	W24(2-3)	W17(2-3)	W22(2-3)	W29(2-3)
Index Action /LCTR-/LLTC† (Load Counter-Load Latch)	W24(1-2)†	W17(1-2)†	W22(1-2)†	W29(1-2)†
Active LOW Index Polarity	W13(2-3)†	W16(2-3)‡	W51(2-3)†	W50(2-3)†
Active HIGH Index Polarity	W13(1-2)	W16(1-2)†‡	W51(1-2)	W50(1-2)

† Default jumper setting

‡ For axis 2, strap (1-2) for active LOW, (2-3) for active HIGH

Note: A forward slash preceding a signal name denotes an active LOW signal.

Table 1-6
Jumper selection for differential/single-ended operation

Axis	Operating Mode	Jumpers	Strapping
1	Differential	W1, W3, W5 W2, W4, W6	none (1-2)
	Single-Ended	W1, W3, W5 W2, W4, W6	(1-2)† (2-3)†
2	Differential	W7, W9, W11 W8, W10, W12	none (1-2)
	Single-Ended	W7, W9, W11 W8, W10, W12	(1-2)† (2-3)†
3	Differential	W38, W40, W42 W39, W41, W43	none (1-2)
	Single-Ended	W38, W40, W42 W39, W41, W43	(1-2)† (2-3)†
4	Differential	W44, W46, W48 W45, W47, W49	none (1-2)
	Single-Ended	W44, W46, W48 W45, W47, W49	(1-2)† (2-3)†

†Default jumper setting

Selecting the card configuration

The following tables provide the necessary jumpering information for selecting card function.

Sample clock frequency jumpering

Jumper W23 (Table 1-7) is used to select the sample clock frequency used by the digital filters. For more information, see Section 2.

Table 1-7
Sample clock frequency jumper settings

Sample Clock Frequency (MHz)	W23
0.625	(9-10)†
1.250	(7-8)
2.500	(5-6)
5.000	(3-4)
10.00	(1-2)

†Default jumper setting

Counter cascading

If you need to extend the counting range of the 5312, you can cascade the counters according to Table 1-8.

Table 1-8
Cascading the counters

Operation	Jumper	Strapping
Cascade Axis 1 to Axis 2	W28, W25	(2-3)
No Cascading Axis 1 to Axis 2	W28, W25	(1-2)†
Cascade Axis 2 to Axis 3	W27, W31	(2-3)
No Cascading Axis 2 to Axis 3	W27, W31	(1-2)†
Cascade Axis 3 to Axis 4	W33, W37	(2-3)
No Cascading Axis 3 to Axis 4	W33, W37	(1-2)†

† Default jumper setting

Interrupt selection

Enabling and disabling PIC interrupts

Table 1-9 provides the necessary information for enabling and disabling Programmable Interrupt Control (PIC) interrupts. For further information on interrupt selection, refer to Section 2.

Table 1-9
Jumpering for disabling/enabling borrow interrupts

Operation	Axis 1	Axis 2	Axis 3	Axis 4	Strapping
Disable‡ /BW† (borrow) output to the PIC	W26	W32	W35	W36	(1-2)
Enable /BW† output to the PIC	W26	W32	W35	W36	(2-3)†

† Default jumper setting

‡ Disable /BW to use comparator mode

Note: A forward slash (/) preceding a signal name denotes an active LOW signal.

PC bus interrupts

W18 selects the PC bus interrupt request line used for interrupt operation as shown in Table 1-10.

Table 1-10
Selecting an interrupt

W18	Interrupt Request Line	Hardware Interrupt	Interrupt Number
(1-2)	IRQ2	Unused‡	0Ah
(3-4)†	IRQ3	Unused	0Bh
(5-6)	IRQ4	Serial Port	0Ch
(7-8)	IRQ5	Unused	0Dh
(9-10)	IRQ6	Diskette Port	0Eh
(11-12)	IRQ7	Parallel Printer Port	0Fh

† Default jumper setting

‡ Unused on XT only, not available on AT

Wait states

A wait state is a period of time requested by a peripheral device to pause the host computer during a read or write operation. A device pauses the host to ensure that valid data are passed. Each wait state is equal to 1 clock cycle. Without wait states on the host, faster PCs will terminate an operation before the peripheral card can fully and reliably gate the data in from or out to the PC bus. As shipped, the card is jumpered for 2 wait states, although some slower PCs may be able to use the card with less than 2. Jumpers W34 and W30 determine the number of wait states as shown in Table 1-11.

Table 1-11
Generating wait states

Wait State	W34	W30
none	none	none
1	none	installed
2	installed†	none†
Invalid	installed	installed

† Default jumper setting

Installation

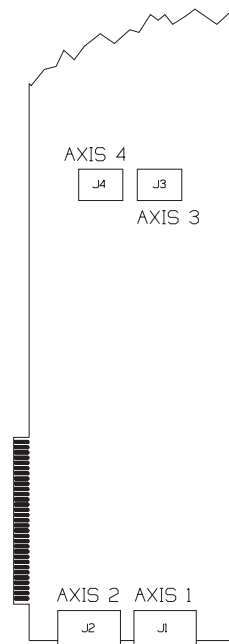
The 5312 is designed to operate in a PC backplane or on a motherboard. You may install the board into any 8-bit slot in the PC according to the PC manufacturer's instructions. If you use more than 2 of the 4 available axes, an additional expansion slot is required. Connect ribbon cables as required from J3 and J4 to the additional back plate.

Give consideration to power and ground connections to ensure reliable system operation. Encoder connections are made to the card through up to 4 9-pin, Dsub connectors. Board connections are located according to Figure 1-5.

The pin assignments for these connectors are shown in section Connector pinouts.

Properly phase the encoder according to manufacturer's instructions.

Figure 1-5
Connector locations on the board



Power considerations

The Model 5312 requires +5V from the PC bus. The typical current load is 1A with a maximum of 1.5A depending on the number of axes used. In addition, +5V is available at J1, J2, J3, and J4 for any external devices that need +5V. The total current load must be considered when determining how much power is required for the system.

Connector pinouts

Table 1-12 lists the pin assignments for J1 to J4 . The view shown of the connector is looking into the board from the backpanel. Figure 1-5 shows the connector locations on the board. Ribbon cables connect axes 3 and 4 from the 10-pin unshrouded headers to chassis I/O slots on the backpanel. The pinout on the backpanel connectors is the same as for axes 1 and 2.

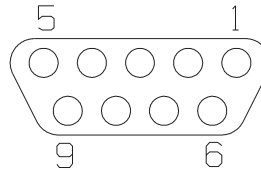


Table 1-12

Connector J1-J4 pin assignments

Pin	Single-Ended	Differential
1	Ground	/Phase A†
2	+5V	+5V
3	Ground	/Phase B†
4	+5V	+5V
5	Ground	/Index†
6	Phase A	Phase A
7	Phase B	Phase B
8	Ground	Ground
9	Index	Index

† A forward slash (/) preceding a signal name denotes an active LOW signal.

Table 1-13
 Default jumper settings for all board versions

Jumper	4-Axis	3-Axis	2-Axis	1-Axis
W1	(1-2)	(1-2)	(1-2)	(1-2)
W2	(2-3)	(2-3)	(2-3)	(2-3)
W3	(1-2)	(1-2)	(1-2)	(1-2)
W4	(2-3)	(2-3)	(2-3)	(2-3)
W5	(1-2)	(1-2)	(1-2)	(1-2)
W6	(2-3)	(2-3)	(2-3)	(2-3)
W7	(1-2)	(1-2)	(1-2)	none
W8	(2-3)	(2-3)	(2-3)	none
W9	(1-2)	(1-2)	(1-2)	none
W10	(2-3)	(2-3)	(2-3)	none
W11	(1-2)	(1-2)	(1-2)	none
W12	(2-3)	(2-3)	(2-3)	none
W13	(2-3)	(2-3)	(2-3)	(2-3)
W16	(1-2)	(1-2)	(1-2)	none
W17	(1-2)	(1-2)	(1-2)	none
W18	(3-4)	(3-4)	(3-4)	(3-4)
W19	(1-2)	(1-2)	(1-2)	(1-2)
W22	(1-2)	(1-2)	none	none
W23	(9-10)	(9-10)	(9-10)	(9-10)
W24	(1-2)	(1-2)	(1-2)	(1-2)
W25	(1-2)	(1-2)	(1-2)	none
W26	(2-3)	(2-3)	(2-3)	(2-3)
W27	(1-2)	(1-2)	none	none
W28	(1-2)	(1-2)	(1-2)	none
W29	(1-2)	none	none	none
W30	none	none	none	none
W31	(1-2)	(1-2)	none	none
W32	(2-3)	(2-3)	(2-3)	none
W33	(1-2)	none	none	none
W34	(1-2)	(1-2)	(1-2)	(1-2)
W35	(2-3)	(2-3)	none	none
W36	(2-3)	none	none	none
W37	(1-2)	none	none	none
W38	(1-2)	(1-2)	none	none
W39	(2-3)	(2-3)	none	none
W40	(1-2)	(1-2)	none	none
W41	(2-3)	(2-3)	none	none
W42	(1-2)	(1-2)	none	none
W43	(2-3)	(2-3)	none	none
W44	(1-2)	none	none	none
W45	(2-3)	none	none	none
W46	(1-2)	none	none	none
W47	(2-3)	none	none	none
W48	(1-2)	none	none	none
W49	(2-3)	none	none	none
W50	(2-3)	none	none	none
W51	(2-3)	(2-3)	none	none

2

Operation and Programming

Theory of operation

The Model 5312 can be configured for up to 4 independent 24-bit multimode counters depending on the model purchased. All models are PC/XT/AT compatible. For applications requiring more than 24 bits of count range, the counters can be cascaded together to form various 24-bit counter configurations. For example, you can cascade counters to obtain one 48-bit counter, a 24-bit counter and a 72-bit counter, or even one 96-bit counter.

Each counter is capable of numerous modes. Examples include:

- A/B quadrature with a maximum input frequency of .333 MHz
- Up/down count with a maximum input frequency of 1.25 MHz
- Count/direction with a maximum input frequency of 1.25 MHz
- Divide by n mode with a maximum input frequency of 1.25 MHz

All three inputs to each counter — Phase A, Phase B, and Index — can be connected single-ended TTL or differential for greater noise immunity. The 5312 provides sockets in differential mode to allow easy insertion of termination resistors. The input lines do not need to be terminated, but for best noise immunity terminate them at the characteristic impedance of the input line. Each input is tied through a buffer to an LED which is turned on when the respective input is LOW.

Each input is digitally filtered (see section Selecting a sample clock frequency) using a sample clock rate that can be optimized for your signal input rate. The index input can be used to generate an interrupt or any one of the following:

- Resetting the counter
- Enabling the gate for phase A and B inputs
- Transferring the 24-bit count value to the count latch

The counter can generate an interrupt on an overflow/underflow or on a compare match condition between the counter and the preset register.

An 8259 Programmable Interrupt Controller (PIC) handles interrupts, and the PIC can be polled to determine the cause of the interrupt.

The PC bus interface to each counter is handled by multiple 8-bit reads and writes. The 24-bit value is read or written, LSB first (little endian).

Programming

Programming the 5312 requires that you read and write the board multimode counter. By understanding the functions of all registers and knowing how to access them, you will be able to issue commands to the board. The following is a discussion of each register.

Writing the Preset Register (PR)

To load the PR:

1. Reset the PR and the Output Latch address counter by writing 01h to the Command Register (see below).
2. Write the three bytes that will comprise the 24-bit value of the PR by writing the LSB first and the MSB last.

Reading the Output Latch register (OL)

To read the OL:

1. Reset the PR and OL address counter by writing 01h to the Command Register (see below).
2. Read the three bytes that comprise the 24-bit value in the OL by reading the LSB first and the MSB last.

Writing the Command Register (CR)

The CR is used to configure the counter for its various modes of operation. The following format is used for the command byte:

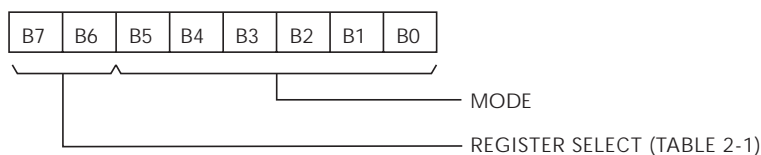
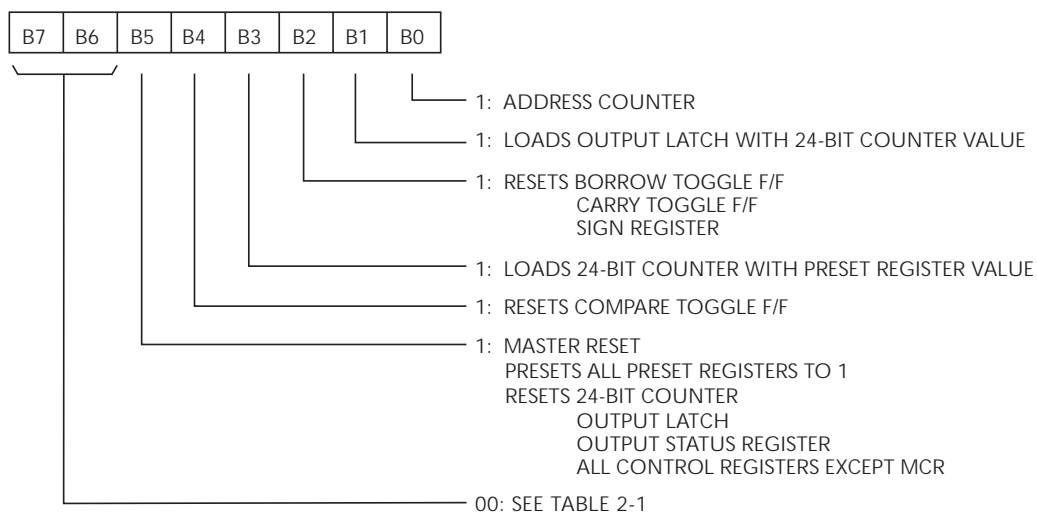


Table 2-1
Register select

B7	B6	Register
0	0	Master Control Register (MCR)
0	1	Input Control Register (ICR)
1	0	Output/Counter Control Register (OCCR)
1	1	Quadrature Register (QR)

Mode bit selection for each control register is explained below.

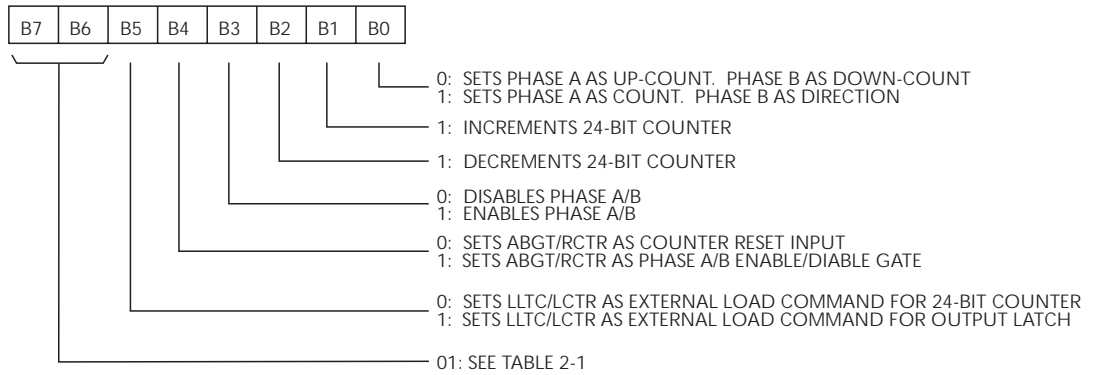
Master Control Register (MCR)



When enabling a value transfer from the PR to the counter (B3), the borrow toggle, the carry toggle, and the compare toggle flip-flops may be altered. You should read these values immediately after transfer and watch for a change in the desired status bit.

Note that a master reset overrides B1 and B3.

Input Control Register (ICR)



When configured as up/down count mode (B0=0), the state of the unused input must be HIGH. In other words, Phase A must be HIGH when Phase B is clocked LOW for input count, and Phase B must be HIGH when Phase A is clocked LOW for input count. Both phases are HIGH when no counts are input. It is illegal for both phases to be LOW at the same time.

In order to increment or decrement (by 1) the 24-bit counter by writing to the ICR, Phase A and Phase B signals must be HIGH at the same time.

Output/Counter Control Register (OCCR)

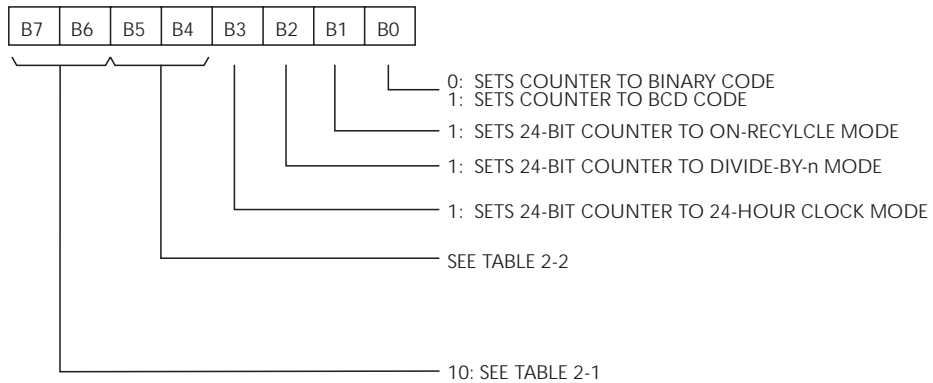


Table 2-2
Output/counter control modes

B5	B4	Mode
0	0	Enable active LOW carry pulse, active LOW borrow on /CY and /BW, respectively
0	1	Enable carry toggle flip-flop, borrow toggle flip-flop on /CY and /BW, respectively
1	0	Enable active HIGH carry and borrow pulse on /CY and /BW, respectively
1	1	Enable comparator output on flip-flop and pulse on /BW

Note: A forward slash (/) preceding a signal name denotes an active LOW signal.

On-recycle mode (B1) counts for only one cycle beginning with a counter reset or load command. It ends with the generation of a carry or a borrow. The counter is then inhibited until a new reset or load command is issued.

In divide-by-*n* mode (B2), the counter is reloaded with the Preset Register value every time the counter overflows or underflows.

The 24-hour clock mode overrides both binary and BCD modes.

Quadrature Register (QR)

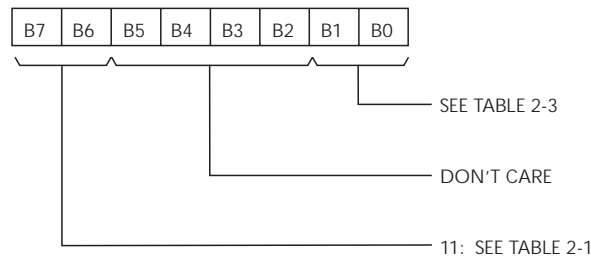
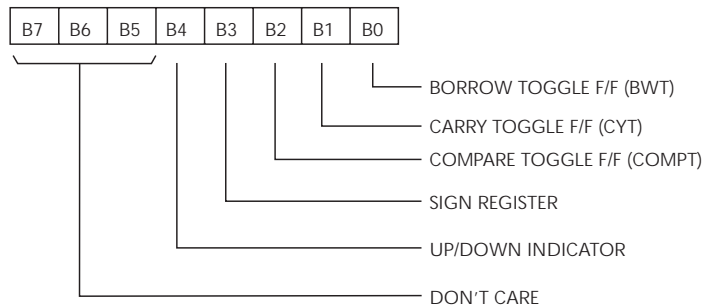


Table 2-3
Quadrature register modes

B1	B0	Mode
0	0	Disables Quadrature Mode
0	1	1x Quadrature Mode
1	0	2x Quadrature Mode
1	1	4x Quadrature Mode

Output Status Register (OSR)



- B0:** BWT — This flip-flop changes state when the 24-bit counter underflows.
- B1:** CYT — This flip-flop changes state when the 24-bit counter overflows.
- B2:** COMPT — This flip-flop changes state when the 24-bit counter matches PR bits (0-2).
- B3:** Sign Register — This register bit is set when the 24-bit counter underflows indicating that a borrow has taken place. It is cleared when the 24-bit counter overflows indicating a carry. It is also reset whenever the 24-bit counter is reset.
- B4:** Up/Down — This bit set in quadrature mode indicates that the counter is operating in up-count mode. When clear, this bit indicates that the counter is in down-count mode. When not in quadrature mode, this bit is always set.
- B5-B7:** Don't care.

Typical programming examples

Example 1

Parameters Quadrature mode.
Index latches count in OL.
BCD output.

- Steps**
1. Initialize the counter
Write the following bytes to the CR:

Byte	Register	Description
35h	MCR	Reset
68h	ICR	Sets the /LCTR - LLTC input to latch the 24-bit counter value at the index and enables Phases A and B.
81h	OCCR	Enables active LOW /CY and /BW and sets the counter to BCD mode.
C3h	QR	Enables quadrature decode mode.

2. Read the counter.

Write the following byte to the CR:

<u>Byte</u>	<u>Register</u>	<u>Description</u>
03h	MCR	Resets the PR and OL address counter and loads the OL with the 24-bit counter value

3. Read the three bytes of data in the OL register (reading the LSB first and the MSB last) to obtain the 24-bit counter value.

Example 2

Parameters Count and direction mode.
Reset counter on index.
Binary output.

Steps

1. Initialize the counter.

Write the following bytes to the CR:

<u>Byte</u>	<u>Registers</u>	<u>Description</u>
35h	MCR	Reset
49h	ICR	Sets Phase A as count input and Phase B as direction input, enables Phases A and B, and sets /ABGT and /RCTR as the counter reset.
80h	OCC	Enables active LOW /CY /and /BW and sets the counter to BC mode.
C0h	QR	Disables quadrature decode mode.

2. Read the Counter.

Write the following bytes to the CR:

<u>Byte</u>	<u>Register</u>	<u>Description</u>
03h	MCR	Resets the PR and OL address counter and loads the OL with the 24-bit counter value.

3. Read the three bytes of data in the OL register (reading the LSB first and the MSB last) to obtain the 24-bit counter value.

Example 3

Parameters Value to be loaded in counter: 654321h.

Steps

1. Reset the PR address.

<u>Byte</u>	<u>Register</u>	<u>Description</u>
01h	MCR	Reset PR address.

2. Write the value to the PR.

<u>Byte</u>	<u>Register</u>	<u>Description</u>
21h	Data	LSB
43h	Data	LSB + 1
65h	Data	MSB

3. Transfer PR to counter.

<u>Byte</u>	<u>Register</u>	<u>Description</u>
08h	MCR	Transfer PR to counter.

Selecting a sample clock frequency

Each input line on the 5312 consists of a differential receiver pair followed by a 4-stage digital filter. This digital filter is shown in simplified form in Figure 2-1. An input signal level must be a valid HIGH for four sample clock cycles or a valid LOW for four sample clock cycles before the filter output will change to the level of the input. This action prevents noise pulses of a duration shorter than (sample clock period)/4 from affecting the filter output signal.

To ensure that all valid input signals are transferred to the filter output, the sample clock period should be approximately one eighth the width of the narrowest positive or negative input pulse. In other words, the sample clock frequency should be eight times the input frequency assuming a 50 percent duty cycle input signal.

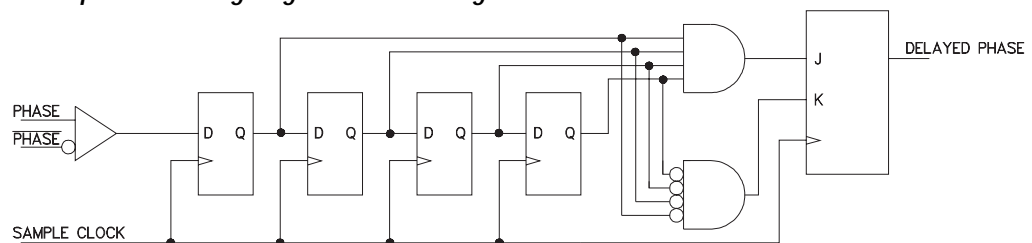
One side effect of the digital filter is a 4-sample period delay from the time a signal arrives at the input of the filter to the time it exits. For example, at the lowest sample clock frequency (625 KHz) the filter delay is approximately 8 microseconds. At the maximum recommended input pulse rate for this sample clock frequency, this is approximately 13 microseconds (assuming a 50 percent duty cycle). Thus, the filter delay is approximately 60 percent of the minimum period input signal.

If delays of this length are unacceptable, a higher frequency sample clock may be used with the loss of some noise immunity.

For example, if you select a sample clock rate of 1.25 MHz, the filter delay is approximately 4 microseconds or one third of the input signal period. However, the noise immunity of the filter is degraded when compared with that obtained at a clock frequency of 625 KHz. When using a clock period of 1.6 microseconds (1/0.625 MHz), intermittent noise pulses of greater than 6.4 microseconds will pass through the filter. Using a clock period of 0.8 microseconds (1/2.5 MHz), intermittent noise pulses of greater than 3.2 microseconds will pass through the filter.

Sample clock frequency selection is a trade-off between noise immunity and delay. For jumper options, see Section 1.

Figure 2-1
Example of a 4-stage signal conditioning filter



Note: A side effect of using a digital filter is a 4-sample propagation delay.

3 Interrupt Control

Description of interrupt control

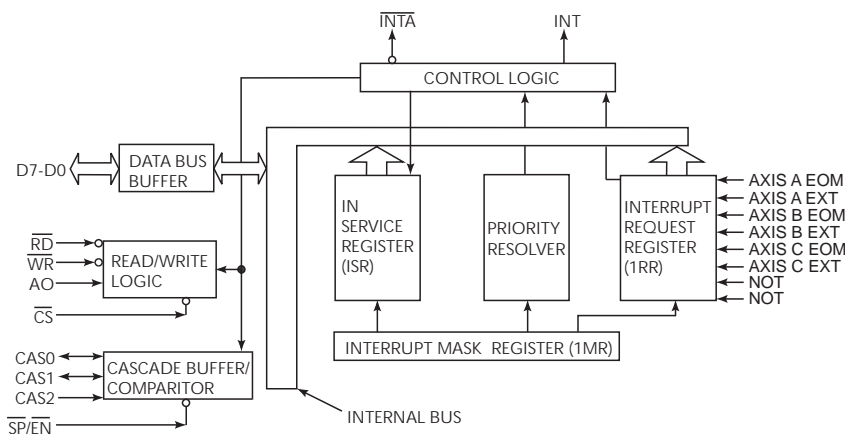
The 5312 uses an 8259A Programmable Interrupt Controller (PIC) to handle the interrupt sources on the board, and must be programmed prior to operation. Each axis can generate two interrupts: the first is a carry/borrow, signaling that an overflow or underflow has occurred, and the second interrupt is caused when a valid index pulse has occurred.

The PIC may only be used in a nonvectored mode (polled). When a board-level interrupt is generated, the PIC must be polled to determine which interrupt was triggered. The PIC may be disabled by removing jumper W8.

Only the features of the 8259A PIC that are used by 5312 are discussed below. For complete information on the 8259A PIC refer to the Peripheral Components Manual or the Microsystem Components Handbook, Vol 1, published by Intel.

Figure 3-1 shows a functional block diagram of the 8259A PIC. On the 5312, the PIC is connected directly to the PC bus through jumper W14.

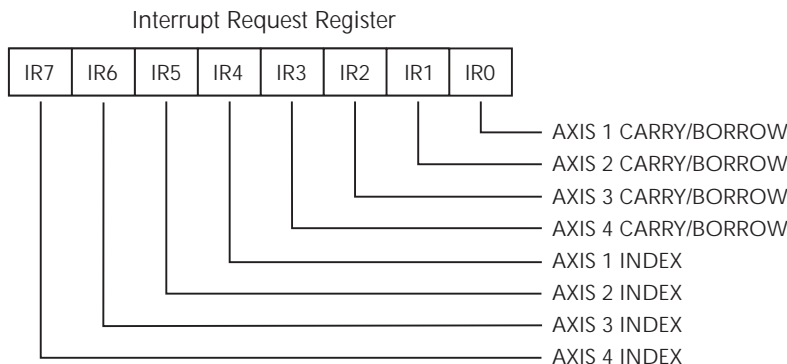
Figure 3-1
PIC block level diagram



The 5312 uses an Intel 8259A and is directly connected to the PC bus through jumper W14.

Interrupt Request Rgtr (IRR), In-Service Rgtr (ISR)

The interrupts at the interrupt request input lines (IR0-IR5) are handled by the IRR and the ISR. The IRR is used to store the interrupts requesting service, and the ISR is used to store the interrupts being serviced. Interrupts and IRR/ISR bits correspond to the format below.



Priority Resolver (PR)

The Priority Resolver (PR) block determines the priority of the bits set in the IRR. The highest priority bit is selected and strobed into the corresponding ISR bit at the time of the poll command.

Interrupt Mask Register (IMR)

The Interrupt Mask Register stores the bits that determine the interrupt lines to be masked. The IMR operates on the IRR. Masking a higher priority input will not affect the interrupt request lines of lower priority. Masking disables the interrupt for the masked input.

Interrupt output (INT)

The Interrupt Output (INT) signal indicates that the PIC has an interrupt request pending. This signal can be routed to PC bus interrupt IRQ2 through IRQ7 (IRQ2 default) via W8. The poll command causes interrupt status to be placed on the bus during the next read of the PIC.

PIC operation

Interrupt sequence, 80x86/80x88 mode

The sequence of events during an interrupt when using an 80x86/80x88 CPU is as follows:

1. One or more of the interrupt request lines (IR0-IR7) are raised high setting the corresponding IRR bit(s).
2. The PIC evaluates these requests and sends an interrupt request to the CPU provided that jumper W8 is installed.
3. The interrupt is acknowledged by your program interrupt service routine by writing a poll command (OCW3) to the PIC.
4. The CPU reads the PIC to obtain the priority level as shown below. After the read, the high ISR bit is set, and the corresponding IRR bit is reset.

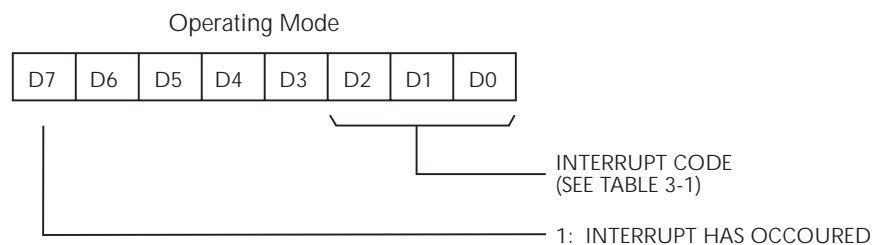


Table 3-1
Interrupt code

D2	D1	D0	Interrupt Request
0	0	0	IRQ0
0	0	1	IRQ1
0	1	0	IRQ2
0	1	1	IRQ3
1	0	0	IRQ4
1	0	1	IRQ5
1	1	0	IRQ6
1	1	1	IRQ7

The interrupt code returns the highest priority interrupt and sets the corresponding ISR bit.

- The previous step completes the interrupt cycle. In the Automatic End-Of-Interrupt (AEOI) mode, the ISR bit is reset on the read following the poll command. Otherwise, the ISR bit remains set until an appropriate End-Of-Interrupt (EOI) command is issued.

NOTE *If no IR lines are HIGH at step 4 of the sequence (i.e., the IR line went HIGH to generate an interrupt request but then went away before it was acknowledge), the PIC will issue an interrupt level 7. This causes the call address or the vector byte to look as if IR7 generated an interrupt request. This is useful in determining whether an actual interrupt request occurred or a noise spike tripped the request line.*

End-of-interrupt command

After the priority level is read, the ISR bit must be reset. This is done with EOI command from the host PC, or it can be done automatically in the AEOI mode. There are two forms of the EOI command — Specific and Non-Specific. A Non-Specific EOI command resets the highest ISR bit of those that were set, and a Specific EOI command can be issued to reset a specified ISR bit.

Completing an interrupt

You have to provide an interrupt routine to trap IR7 interrupt glitches that appear as interrupt 7 requests. In the AEOI mode, the ISR bit for the interrupt being serviced is reset automatically at the interrupt return in your interrupt routine.

Operating modes

Fully nested mode

This is the default mode entered after initialization unless another mode is programmed. In this mode, interrupt requests are ordered in priority from 0 through 7 with 0 being the highest priority. When a poll command is received and the priority level is read, the highest priority request is placed on the data bus. The corresponding bit in the ISR is also set. It stays set until the CPU issues an EOI command, or, if in AEOI mode, until the priority level is read. While the ISR bit is set, all further interrupts of equal or lower priority are inhibited. Interrupts of higher priority will issue an interrupt request (which will be acknowledged only if the PC has unmasked the interrupt).

Special mask mode

This mode is similar to the fully nested mode except that when a bit in the ISR is set, it only inhibits interrupt requests at that level. All other unmasked interrupt requests (lower as well as higher) are enabled.

Specific rotation (specific priority)

The default priority of interrupts is IR0 (highest) through IR7 (lowest). This can be changed using the set priority command. This command specifies one input as having the lowest priority and fixing all other priorities. For example, if IR2 is specified as having the lowest priority, the priority of interrupts will be: IR3 (highest), IR4, IR5, IR6, IR7, IR0, IR1, IR2 (lowest).

Automatic rotation (equal priority)

In this mode, a device, after being serviced, receives the lowest priority. Such a device requesting an interrupt would have to wait until all other devices have been serviced.

Non-vectored mode (poll command)

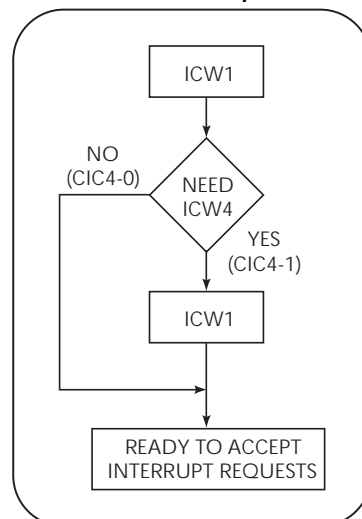
The PIC must be polled for interrupt status. To do this, the poll command is written to the PIC, and then the status is read. The PIC treats the read pulse as an INTA pulse. The interrupt is frozen from the write to the read.

PIC programming

The PIC accepts two types of command words from the CPU: Initialization Command Words (ICW) and Operational Command Words (OCW).

Initialization Command Words (ICW)

Figure 3-2
PIC initialization sequence



Note: Bit D4 set assumes the next word issued will be ICW4.

Before normal operation can begin, the PIC must be brought to a starting point by a sequence of three bytes. Figure 3-2 shows the initialization sequence. Whenever a command is written to the PIC low port with bit D4 = 1, it is interpreted as ICW1. Register ICW1 starts the initialization sequence during which the following automatically occur:

1. The IMR is cleared.
2. IR7 is assigned the lowest priority.
3. The slave mode address is set to 7.
4. Special Mask Mode is cleared.
5. Status Read is set to IRR.
6. If IC4 = 0, then all functions selected in ICW4 are set.

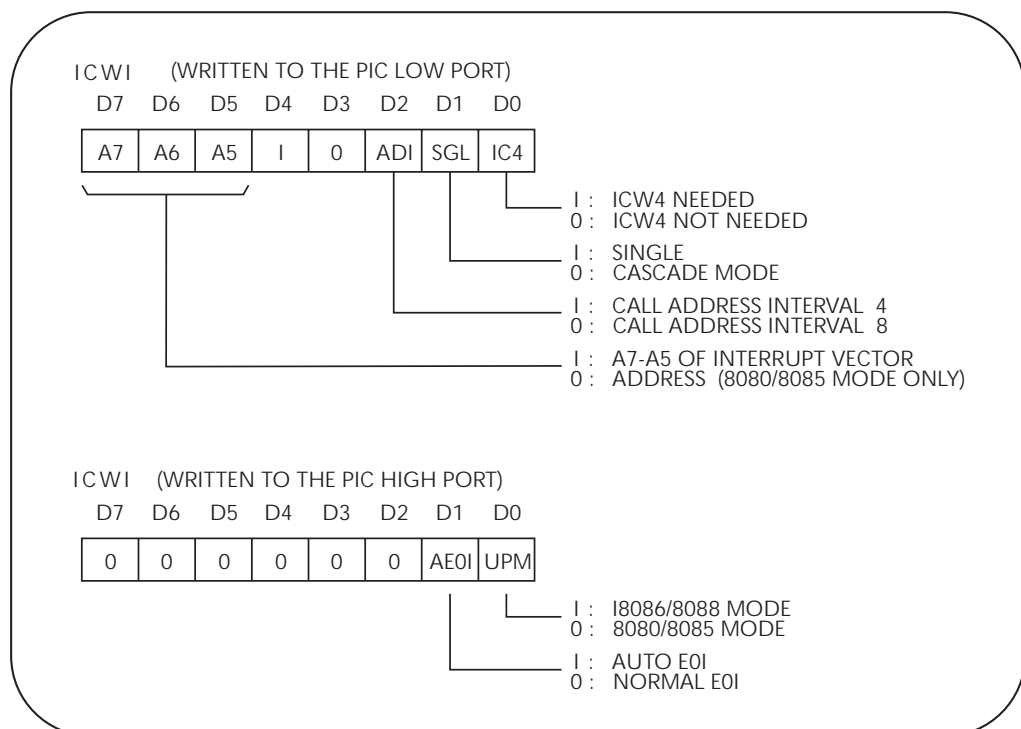
ICW2 is not used by the 5312. However, a value must be written to it to properly initialize the PIC. Any value may be written since the value will have no effect on PIC operation.

ICW3 is not used by the 5312.

Writing to the ICW4 completes the initialization sequence.

ICW1 format and description

Figure 3-3
PIC ICW format



Note: Write ICW1 to the PIC low port and ICW4 to the PIC high port depending on how you initialize.

Figure 3-3 shows the format for ICW1 and ICW4. Set the bits for the 5312 to the PIC low port in the following manner:

D5-D7 (A7-A5): May be set or cleared. This bit has no impact on the operation of the 5312.

D2 (ADI): May be set or cleared. This bit has no impact on the operation of the 5312.

D1 (SNGL): Set this bit.

DO (IC4): If ICW4 is needed, set this bit. ICW4 is needed if the CPU is an 80x86/80x88 or if AEOI mode is desired.

ICW4 format and description

ICW4, written to the PIC high port, is read only if D4 of ICW1 is set. Set the data bits in the following manner:

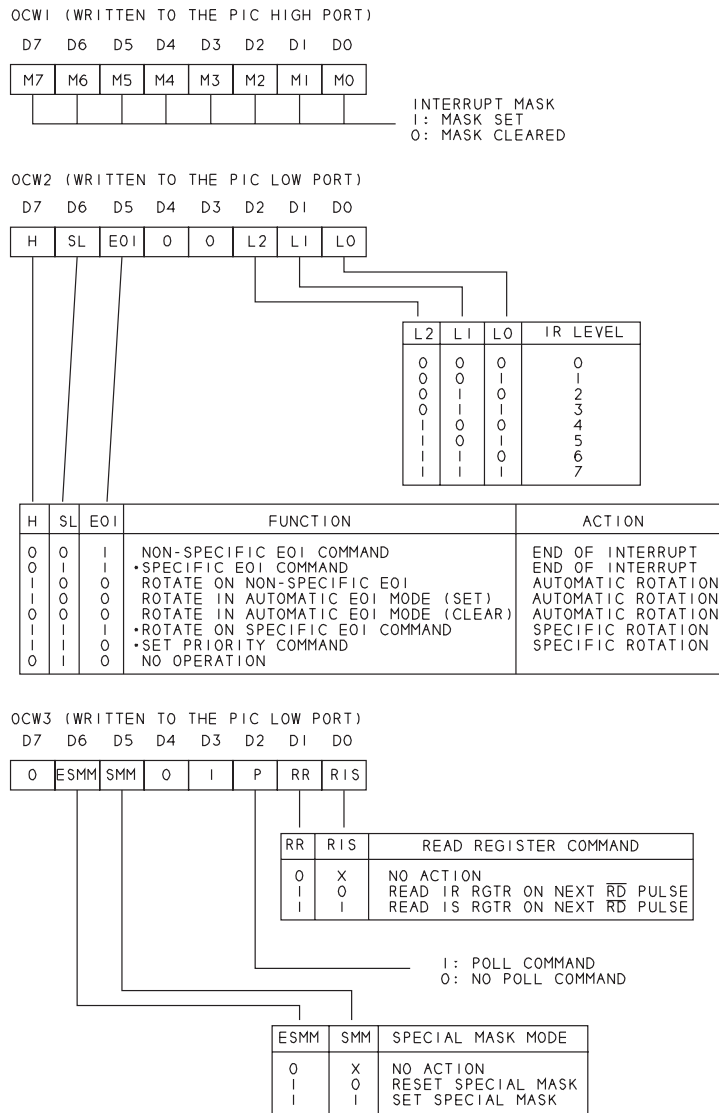
D0 (UPM): Set this bit for operation in 8086 or 8088 mode. Clear this bit for operation in 8080 or 8085 mode.

D1 (AEOI): Set this bit for AEOI mode, and clear it for normal EOI.

Operation Command Words (OCW)

These are the words that command the PIC to operate in various interrupt modes. The OCW can be written to the PIC anytime after initialization. Figure 3-4 shows the format for OCW.

Figure 3-4
PIC OCW format



Note: Write to the OCW at any time after initialization.

OCW1 format and description

Written to the PIC high port, OCW1 sets and clears the mask bits in the Interrupt Mask Register (IMR). M7-M0 represent the eight mask bits for IR7-IR0, respectively. M = 1 means that the input is masked (inhibited), while M = 0 means that the input is enabled. Since IR6 and IR7 are not used by the PIC, set M6 and M7. Reading OCW1 through the PIC high port returns the interrupts that are masked.

OCW2 format and description

The bits in OCW2, written to the PIC low port, are defined as follows:

D7 (R): Used to control all PIC rotation operations. If R is set, a form of priority rotation will be executed depending on the operation selected.

D6 (SL): Used to select a specific level for a given operation. If set, L0-L2 are enabled, and the operation selected will be executed on the specified interrupt level.

D5 (EOI): Used for all EOI commands (except AEOI). If set, a form of EOI will be executed.

D0-D2 (L0-L2): Designates an interrupt level (0-7) to be acted upon for the operation selected by the EOI, SL, and R bits. L0-L2 are enabled or disabled by the SL bit.

All the possible operations by OCW2 are shown in Figure 3-6. A brief description of each is given below.

OCW2 commands

Non-specific EOI command: Of the ISR bits that are set, the one with the highest priority is cleared.

Specific EOI command: The ISR bit specified by LO-L2 is cleared.

Rotate on non-specific EOI command: Same as non-specific EOI, except that when an ISR bit is cleared, its corresponding IR is assigned the lowest priority.

Rotate in AEOI: Same as rotate on non-specific EOI command, except that priority rotation is done automatically after the last INTA pulse. Setting the bit enters this mode, and clearing the bit exits this mode.

Rotate on specific EOI: Same as specific EOI, except that after the specified ISR bit is cleared, its corresponding IR is assigned the lowest priority.

Set priority command: The specified bit is assigned the lowest priority.

OCW3 format and description

The bits in OCW3, written to the PIC low port, are defined according to the following:

D6 (ESMM): Enable special mask mode. When set, it enables the SMM bit (see below) to set or reset the special mask mode. When ESMM is cleared, the SMM bit becomes a don't care.

D5 (SMM): Special mask mode. If ESMM and SMM are set, the PIC will enter the special mask mode. If ESMM is set and SMM is cleared, the PIC will revert to normal mask mode.

ESMM	SMM	Mode
1	1	Special Mask Mode
1	0	Normal Mask Mode

D5 (SMM): Special mask mode. If ESMM and SMM are set, the PIC will enter the special mask mode. If ESMM is set and SMM is cleared, the PIC will revert to normal mask mode.

D2 (P): Polled mode. If set, the next read of the PIC low port will return the highest priority level requesting the interrupt if an interrupt has occurred. See Figure 3-3.

D1 (RR): Read register. If set, the next read of the PIC low port will return IIR and ISR status, depending on the RIS bit (see below). If RR is cleared, the RIS bit becomes a *don't care*.

NOTE *If P=1 and RR=1, the poll command will override the read register command.*

D0 (RIS): If P = 0, RR = 1, and RIS = 0, the next read of the PIC low port will return the IRR status. If P = 0, RR = 1, and RIS = 1, the next read of the PIC low port will return the ISR status.

P	RR	RIS	Next Read of Low Port
0	1	0	Return IIR Status
0	1	1	Return ISR Status

NOTE *After issuing a poll command, do not read the Mask Register (PIC high port) before reading the poll status (PIC low port).*

A PC I/O and Interrupt Mapping

PC I/O map

Table A-1 shows how the PC is typically mapped. Obviously, this list does not include every possible type of board available. Check the boards in your system to be certain which addresses are used.

Table A-1
PC I/O map

Address	# of Bytes	PC	XT	AT
100h to 1EFh	240	Write Only	Open	Open
1F0h to 1F8h	9	Write Only	Open	Fixed Disk
1F9h to 1FFh	7	Write Only	Open	Open
200h to 20Fh	16	Game Controller	Game Controller	Game Controller
210h to 217h	8	Open	Expansion Unit	Open
218h to 21Eh	7	Open	Open	Open
21Fh	1	Open	Reserved	Open
220h to 257h	56	Open		
258h to 25Fh	8	Intel Above Board		
260h to 277h	24	Open		
278h to 27Fh	8	LPT2		
280h to 2AFh	48	Open		
2B0h to 2DFh	48	Alternate EGA		
2E0h	1	Open		
2E1h	1	GPIB		
2E2h to 2E3h	2	Data Acquisition		
2E4h to 2F7h	20	Open		
2F8h to 2FFh	8	COM2		
300h to 31Fh	32	Prototype Area		
320h to 32Fh	16.00	Fixed Disk	Fixed Disk	Open
330h to 347h	24	Open		
348h to 357h	16	DCA 3270		
358h to 35Fh	8	Open		
360h to 36Fh	16	PC Network		
370h to 377h	8	Open		
378h to 37Fh	8	LPT1		
380h to 38Fh	16	SDLC; Binary Synchronous Communications		
390h to 393h	4	Cluster		
394h to 39Fh	12	Open		
3A0h to 3AFh	16	Binary Synchronous Communications		
3B0h to 3BFh	16	Monochrome Display Adapter		
3C0h to 3CFh	16	Enhanced Graphics Adapter		
3D0h to 3DFh	16	Color Graphics Adapter		
3E0h to 3EFh	16	Open		
3F0h to 3F7h	8	Diskette Controller		
3F8h to 3FFh	8	COM1		

Table A-2 shows how interrupts are typically mapped in a PC. Check the boards in the PC to determine exactly which interrupts are being used. The printer ports LPT1 and LPT2 have interrupts available to them, but under normal operation these interrupts are not used.

Table A-2
PC interrupt map

IRQ	PC	XT	AT
IRQ2	Reserved	Reserved	IRQ9
	EGA Display Adapter PC Network		
IRQ3	COM2 PC Network Binary Synchronous Communications Cluster SLDC		
IRQ4	COM1 Binary Synchronous Communications SDLC		
IRQ5	Fixed Disk	Fixed Disk	LPT2
IRQ6	Floppy Disk		
IRQ7	LPT1 Cluster		
IRQ10	Not available	Not available	Open
IRQ11	Not available	Not available	Open
IRQ12	Not available	Not available	Open
IRQ14	Not available	Not available	Fixed Disk
IRQ15	Not available	Not available	Open

B
Tech Bulletins and
Application Notes

Timer application in velocity mode

The 7166 counter chip used on the 5312 board will count quadrature inputs down to 208 nanoseconds or 4.8MHz. However, counting is actually limited to 10MHz / 8 or 1.25MHz per channel. This yields a maximum quadrature count rate of 2.5MHz and an up/down (or count and direction) rate of 10MHz.

To use the 5312 in a timer application, position information has to occur at prescribed and precise time intervals.

We will assume a resolution of n counts per unit of dimension, and axes 0 to 2 will be used to count absolute dimension information. Axis 3 will be used as an interval timer. In this mode, axis 3 will capture the counts of axes 0 to 2 and also will generate an interrupt to the host computer. When the interrupt occurs, the host CPU will need to store data from axes 0 to 2 to RAM or perform other calculations (such as velocity).

Timer accuracy can be set in 0.1 microsecond increments. Since capturing the counts are triggered by hardware, the software only has to respond to the time interval interrupts allowing the host processor to do other housekeeping while in between the interrupt calls.

Setting up axis 3 as an interval timer

1. Remove jumpers W17, W24, W22, W26, W29, W33, W36, W37, W44, W46, and W48.
2. Jumper (2-3) on W45, W47, and W49.
3. Jumper W50 is a don't care.
4. Wirewrap W36 (3) to W22 (1) to W24 (1) to W17 (1) to W36 (2).
5. Wirewrap W23 (7) to W33 (2).
6. Wirewrap W37 (2) to W19 (1). If axis 3 counts in the wrong direction, remove the wirewrap from W19 (1) and attach it to W19 (3).

Only 1 LCTR pull-up resistor can be driven by the borrow output of a 7166 chip. If you need to trigger more than one axis, remove the excess pull-up resistor legs from their respective connections. (Refer to the 5312 schematic for pull-up resistor numbers attached to the wires going to W24 and W17.) This will maintain a TTL current level in the 7166 borrow output under 4mA.

Set axis 3 as a pulse and direction counter in the divide by n mode. Preset axis 3 counter with the correct number of counts for the time interval desired using the appropriate sample clock frequency (10MHz for this example). By wirewrapping the sample clock, W23 (3), to axis 2 channel A counter input, W33 (2), each count input will trigger every 0.1 microseconds. Therefore, to set the timer interval to 2 milliseconds, preset the counter to 19,999.

Set: MC = 35h, ICR = 48h, OCCR = 84h, QR = C0h

Subtracting 1 from the count is necessary because the counter triggers on the rollover or borrow pulse (transition from 0 to FFFFFFFh). Although this only yields an error of 100 nanoseconds, if not corrected, error accumulation eventually becomes significant. Attempt to be as precise as possible.

Once the hardware is configured, the software does the rest. Software provides the driver routines to collect the data and set up interrupts with the least possible effort.

C Circuit Diagrams

Index

A

Automatic rotation 3-5

B

Base addressing 1-4

C

Circuit Diagrams C-1
Completing an interrupt 3-4
Connector pinouts 1-13

D

Description 1-2
Description of interrupt control 3-2

E

End-of-interrupt command 3-4

F

Fully nested mode 3-4

I

ICW1 format and description 3-6
ICW4 format and description 3-7
Indirect addressing 1-5
Initialization Command Words (ICW) 3-5
Input Control Register (ICR) 2-4
Installation 1-11
Interrupt control 3-1
Interrupt Mask Register (IMR) 3-3

Interrupt output (INT) 3-3
Interrupt Request Rgtr (IRR),
In Service Rgtr (ISR) 3-2
Interrupt selection 1-10
Interrupt sequence, 80x86/80x88 mode 3-3
Introduction and installation 1-1

M

Master Control Register (MCR) 2-3

N

Non-vectored mode (poll command) 3-5

O

OCW1 format and description 3-8
OCW2 commands 3-9
OCW2 format and description 3-9
OCW3 format and description 3-9
Operating modes 3-4
Operation command words (OCW) 3-7
Operation and programming 2-1
Output/Counter Control Register (OCCR) 2-4
Output Status Register (OSR) 2-6

P

PC I/O and interrupt mapping A-1
PC I/O map A-2
PIC operation 3-3
PIC programming 3-5
Power considerations 1-12
Priority Resolver (PR) 3-3
Programming 2-2

Q

Quadrature Register (QR) 2-5

R

Reading the Output Latch register (OL) 2-3

S

Selecting a sample clock frequency 2-8

Selecting an index option 1-8

Selecting the card configuration 1-9

Setting the jumpers 1-3

Setting up axis 3 as an interval timer B-2

Special mask mode 3-5

Specific rotation (specific priority) 3-5

T

Tech bulletins and application notes B-1

Technical specifications 1-3

Termination resistors 1-6

Theory of operation 2-2

Timer application in velocity mode B-2

Typical programming examples 2-6

W

Wait states 1-11

Writing the Command Register (CR) 2-3

Writing the Preset Register (PR) 2-2



Keithley Instruments, Inc.
28775 Aurora Road
Cleveland, Ohio 44139
Printed in the U.S.A.